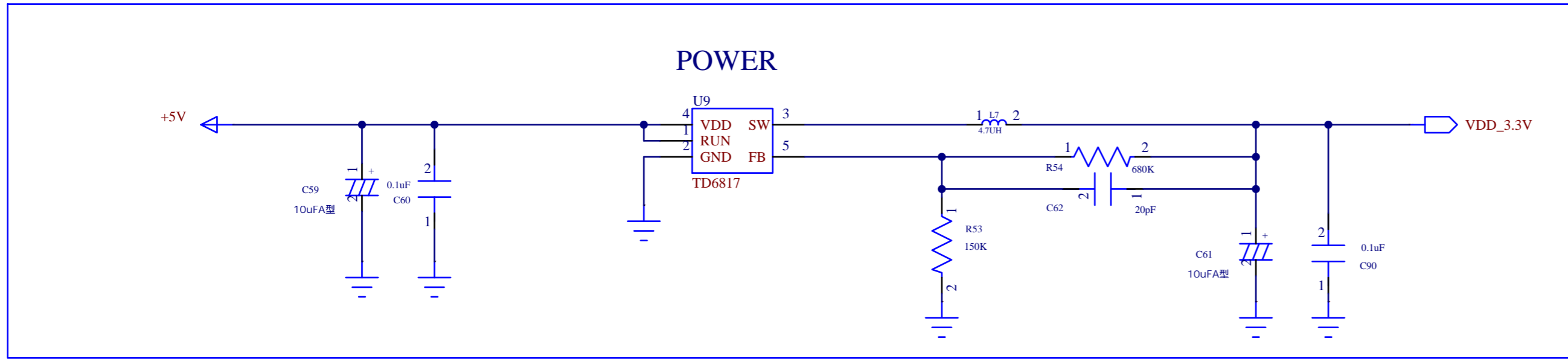
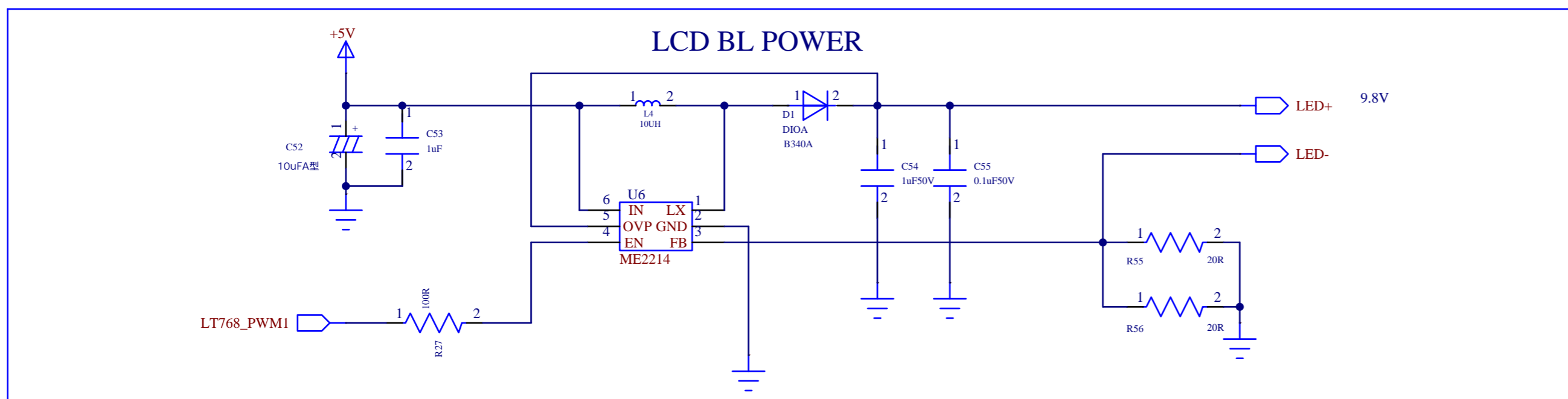


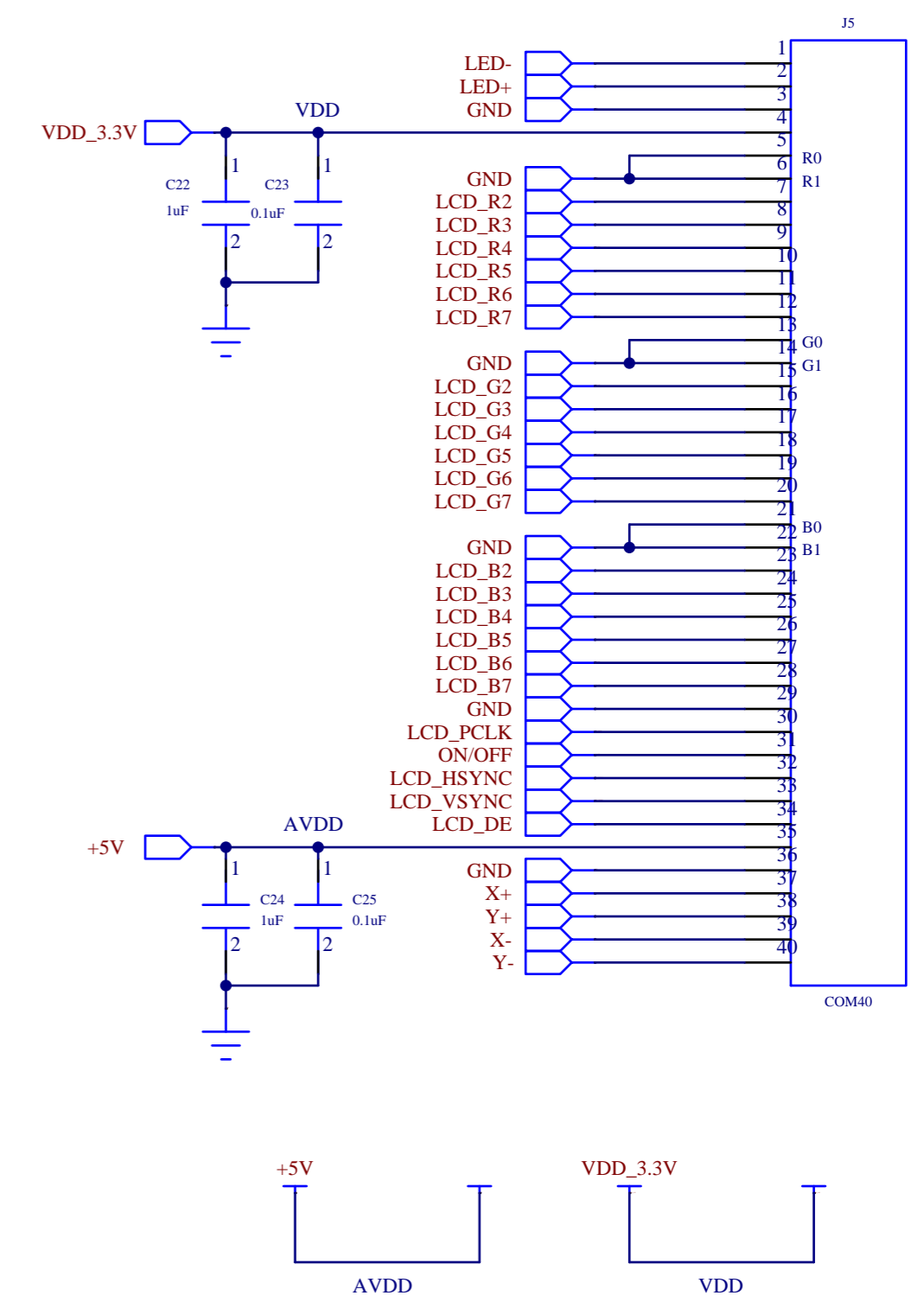
POWER

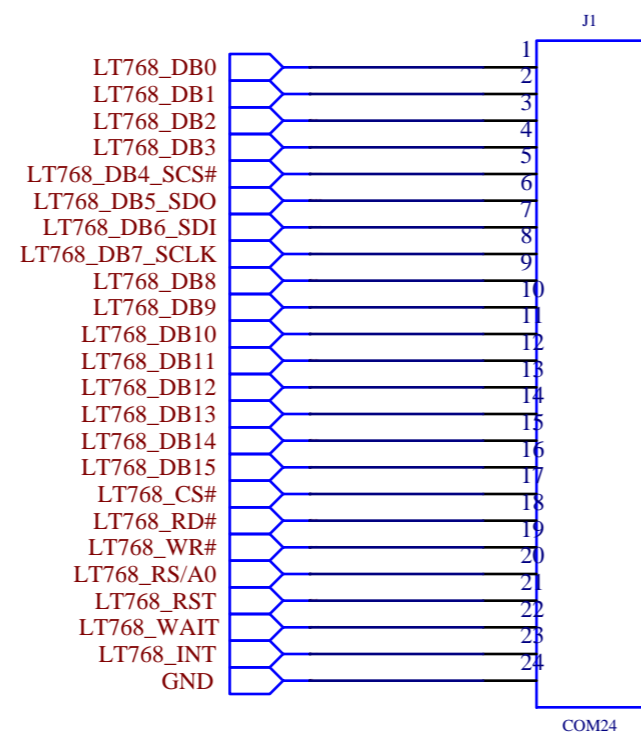
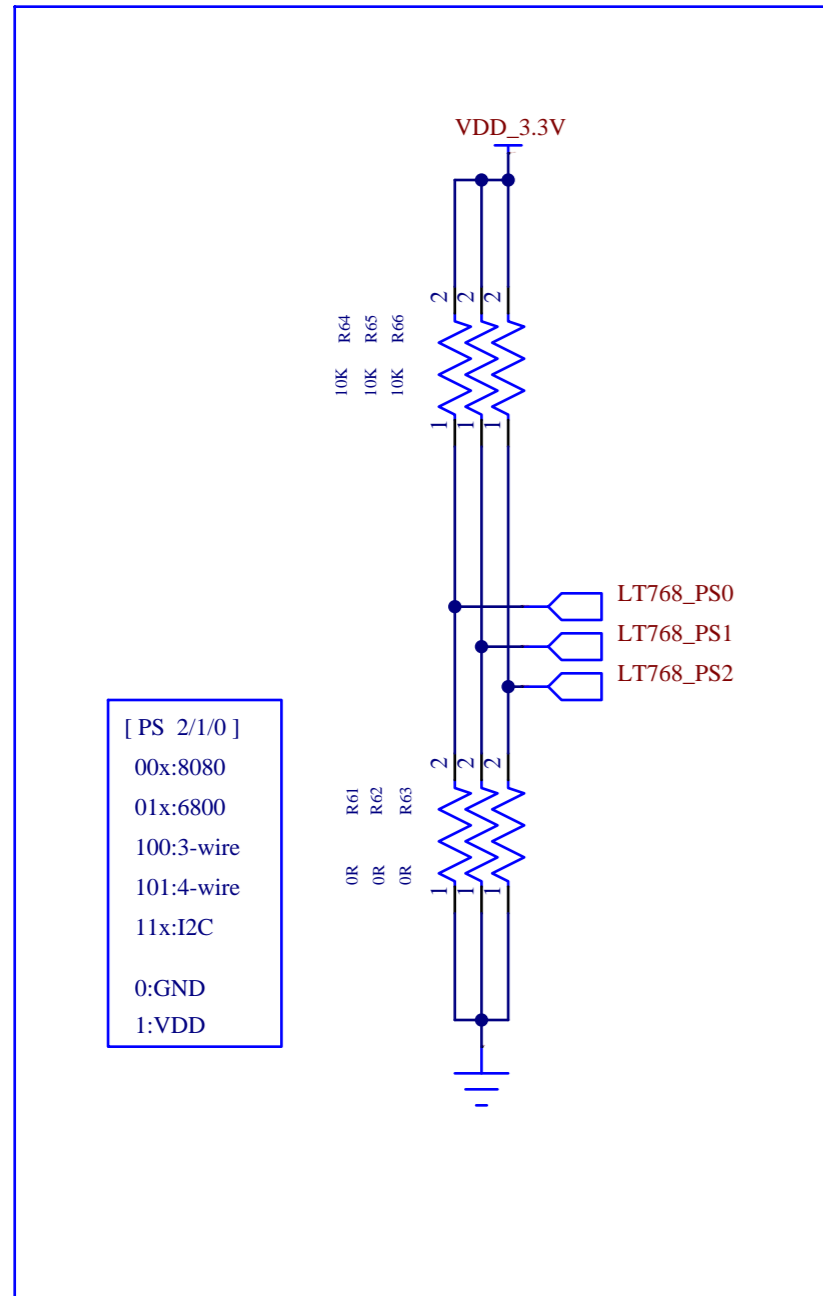


LCD BL POWER

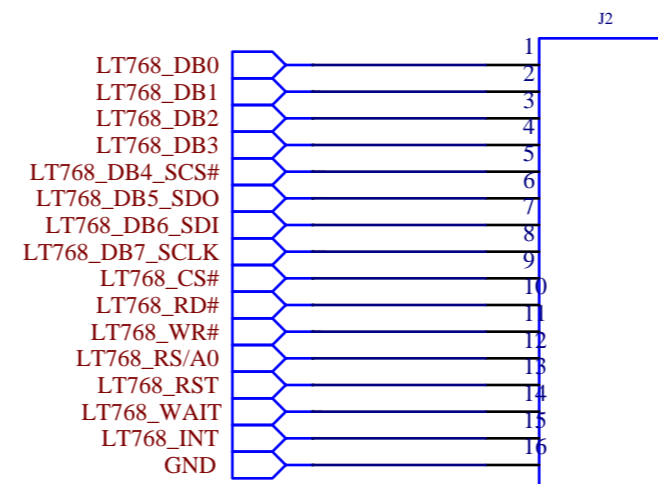


LCD interface display

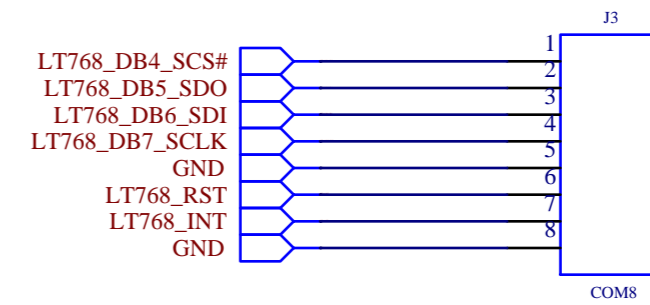




LPT 16bit



LPT 8bit



SPI 4 line